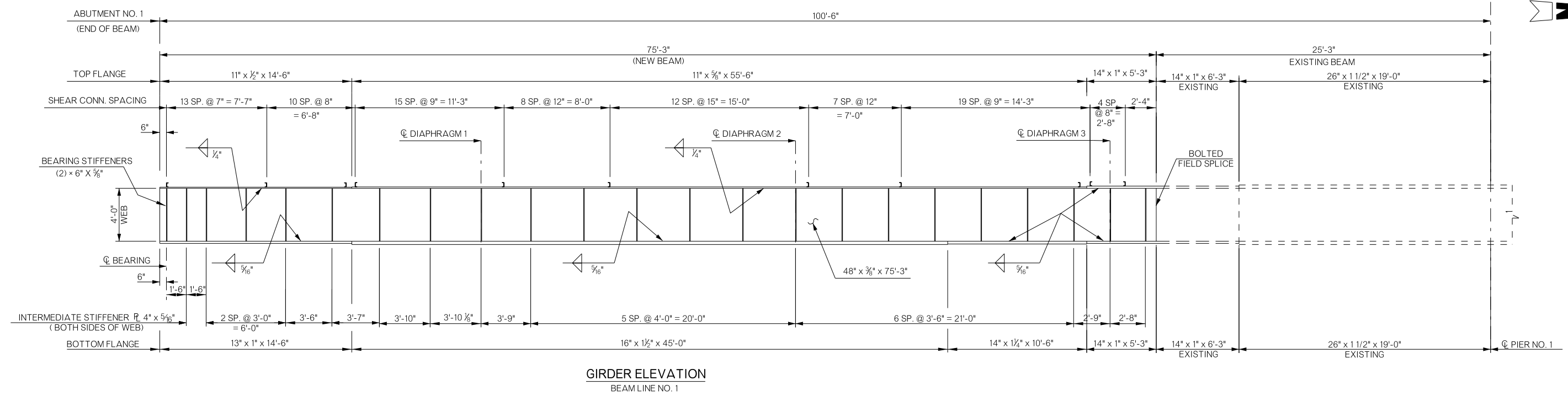
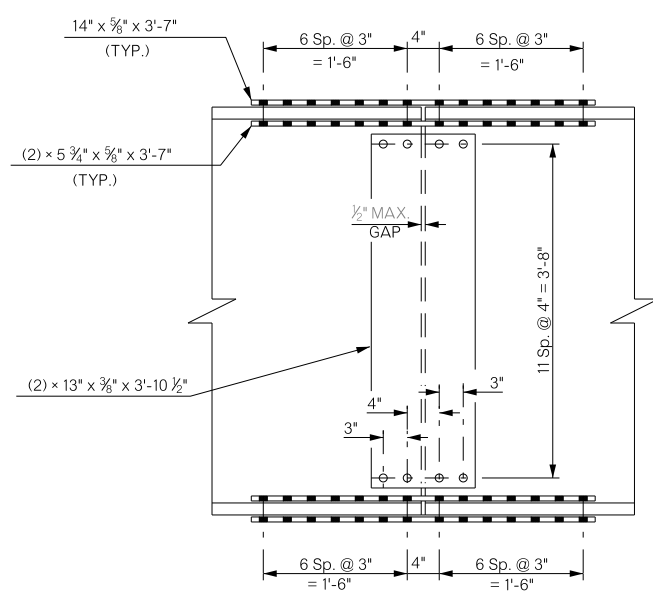


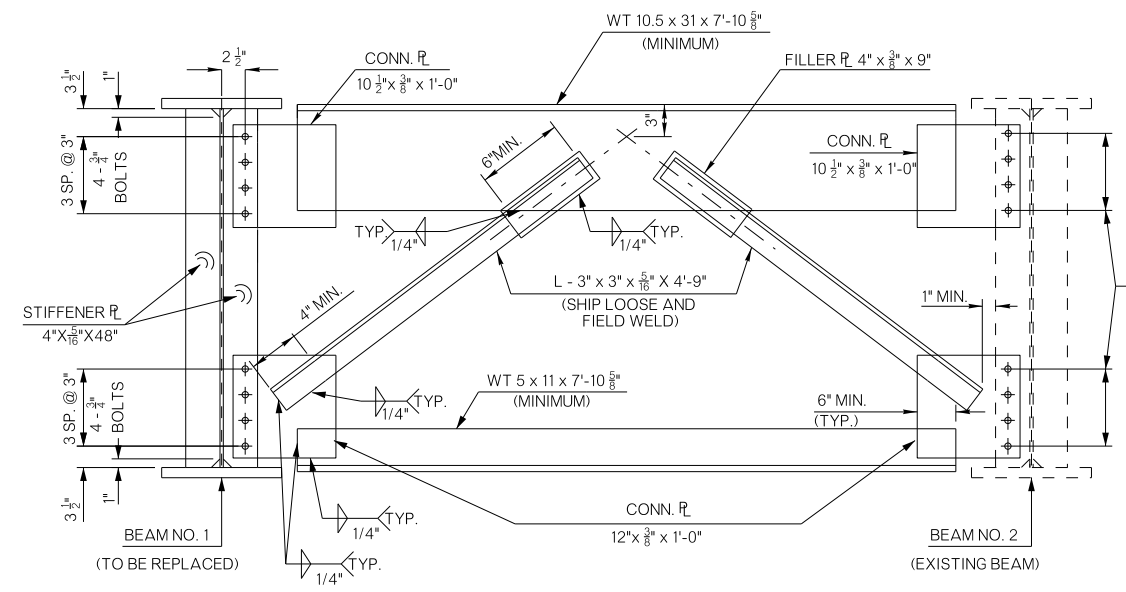
REVISIONS		
REV. NO.	DESCRIPTION	DATE



GIRDER ELEVATION
BEAM LINE NO. 1

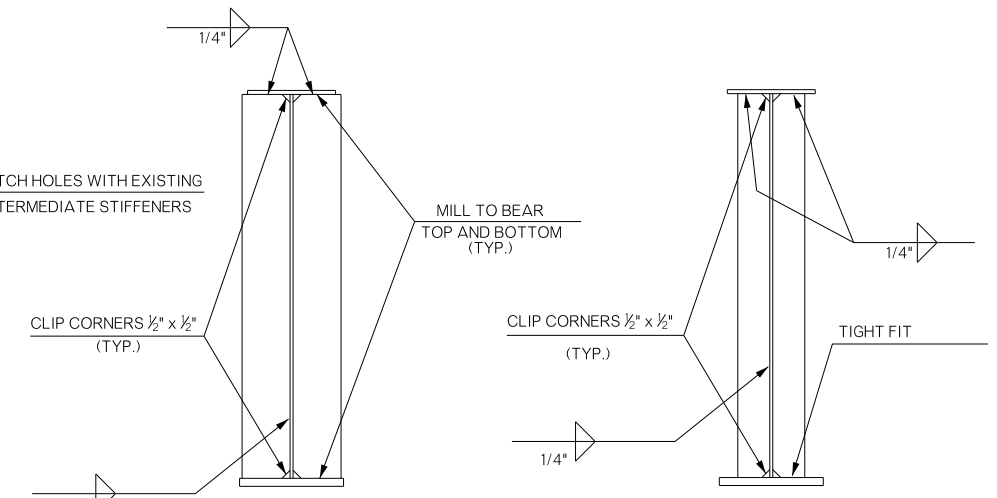


BOLTED FIELD SPLICE DETAIL



DIAPHRAGM DETAILS

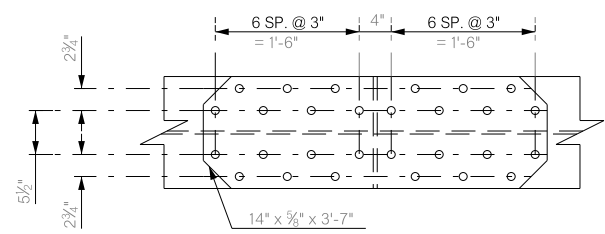
13/16" DIA HOLES FOR 3/4" DIA H.S. BOLTS



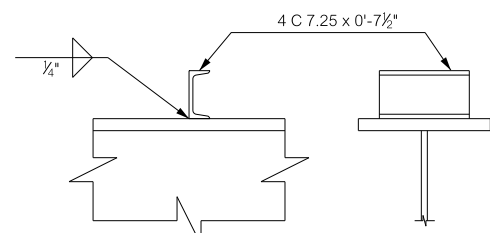
BEARING STIFFENER
(BOTH SIDES)

INTERMEDIATE STIFFENER
NOTE: WELD STIFFENERS TO COMPRESSION FLANGE WITH TIGHT FIT TENSION FLANGE. (BOTH SIDES)

NOTE:
STOP WELD 3/8" FROM ENDS.



PLAN
15/16" Dia. Holes for 7/8" Dia. H.S Bolts



SHEER CONNECTOR DETAIL

BRIDGE "A" US 64 UNDER 65TH W. AVE.	TULSA COUNTY		Design		
	BEAM AND DIAPHRAGM DETAILS		Detail	NOW	06/17
			Check	KRM	07/17
	Squad: MAYFIELD Engr: ELYAZGI				
STATE OF OKLAHOMA	DEPARTMENT OF TRANSPORTATION	JOB/PIECE NO. 33285(04)	SHEET NO. B004		